

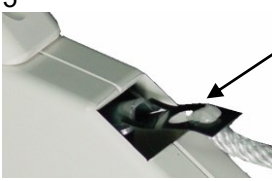

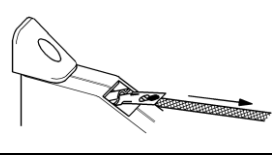

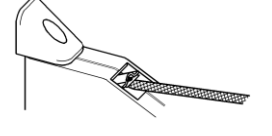

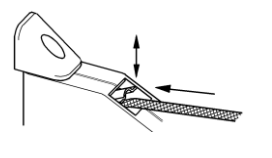
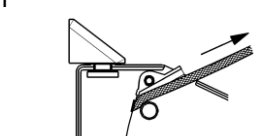
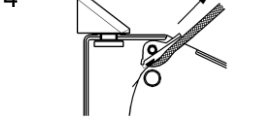
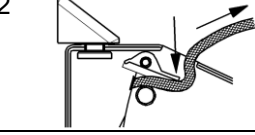
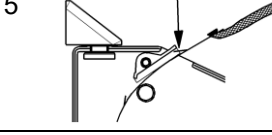
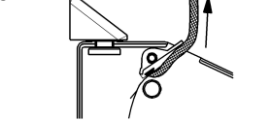
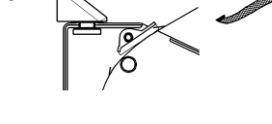


Installation instruction:

		<p>Attention</p> <ul style="list-style-type: none"> • Do not open the case! • Spring ends do not pull out by force! • Use only cord with a diameter of 4 to 4.5mm. Drawcord: Small drawcord (5101) at Ø 4mm = approx. 4,5m and at Ø 4,5mm = approx. 3,75m, large drawcord (5301) at Ø 4mm = approx. 5,3m and at Ø 4,5mm = approx. 4,25m. • Do not use too stiffes cord. • Do not use too much extra cord on the pulley in the roller shutter (approx. 1 turn). • Screw the coiler to the frame or to the wall. <p>Lengthen the cord in a way that when the roller shutter is down 10 to 20cm cord remains in the coiler.</p>	
1	 <p>Insert the cord into the cut of the spring so that the cord is pointing upwards approx. 2cm.</p>	5	 <p>The molten head must not be too large, it must only rise slightly above the feather.</p>
2	 <p>Press the cord in the narrow area of the spring-cut.</p>	6	 <p>Only then pull out the spring end with the cord and hang out the locking tabs. Caution: spring is under tension - risk of injury!</p>
3	 <p>Cut the end of the cord with scissors or a sharp side cutter so that its end stick about 5mm above the spring.</p>	7	 <p>Insert the cord under the lever into the coiler.</p>
4	 <p>Weld the end of the cord with a lighter and allow it to cool.</p>	8	 <p>Push the lever very far down, slide the cord into the coiler (possibly lift the lever over the cord again until the spring pulls the cord into the coiler).</p>

Pull out the cord:

1	 <p>Pull out the cord to the stop and hold it with a light pull.</p>	4	 <p>Pull out the cord. Caution: the spring end is sharp-edged – risk of injury!</p>
2	 <p>Keep the cord tight and push the lever very far down</p>	5	 <p>Attach the locking tabs of the feeding belt to the lever.</p>
3	 <p>Pull the lever high up again by the cord.</p>	6	 <p>Unhook the cord from the feeder belt.</p>